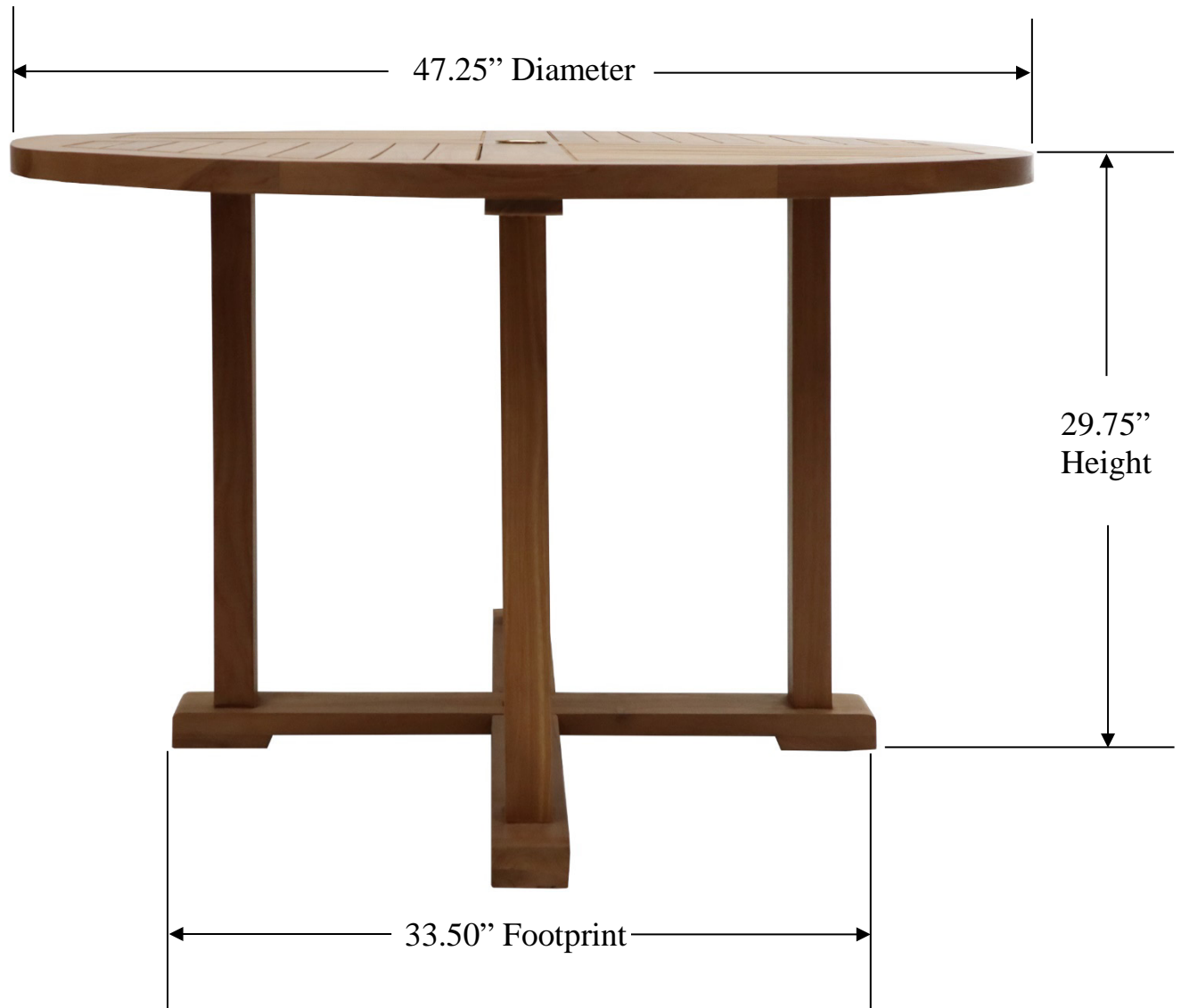


# REDMON

## **Item Number: 8051 Genuine Teak Round Table**

Overall Product Dimensions: "W x "D x "H

Weight: lbs.



### **Additional noteworthy details:**

Table Top Thickness 1.25"

Individual slat width 1.9375" width in offset quadrant pattern

Umbrella stand hole 1.9375" inside diameter

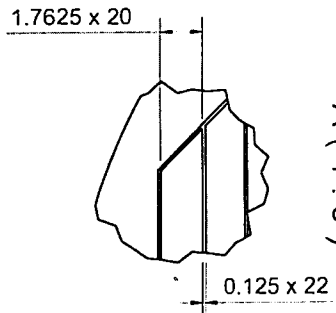
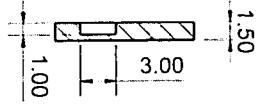
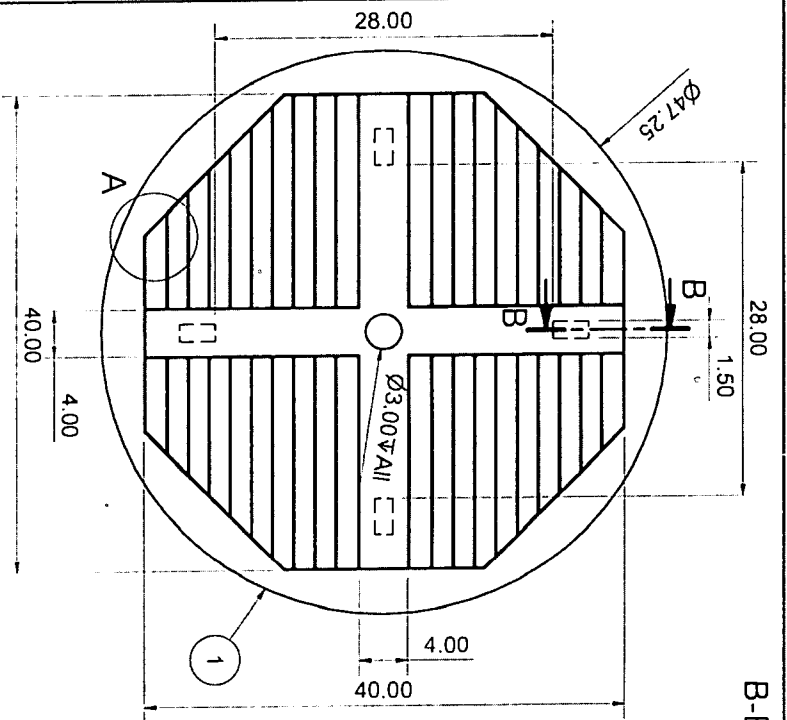
Floor to underneath side of table 28.50"

Table Legs thickness 1.9375"

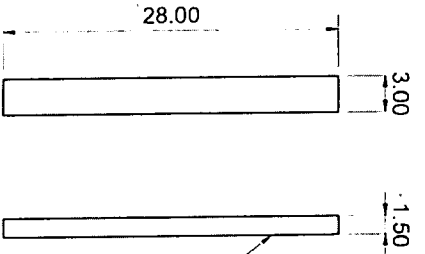
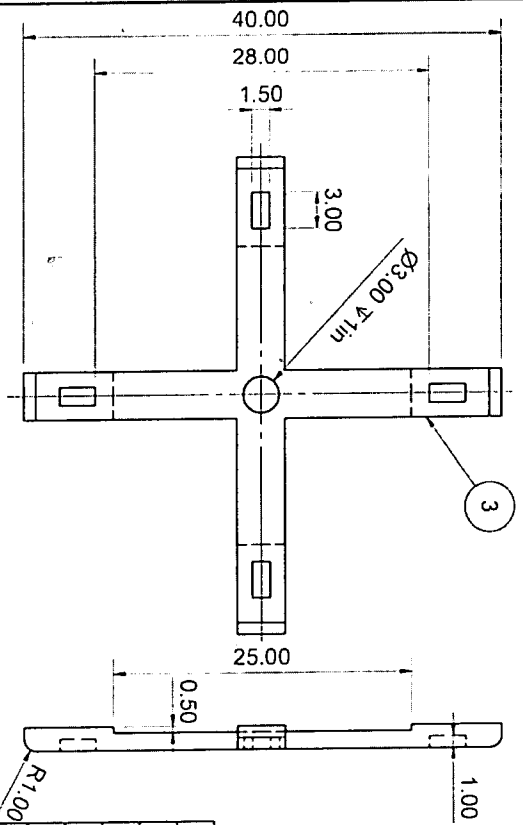
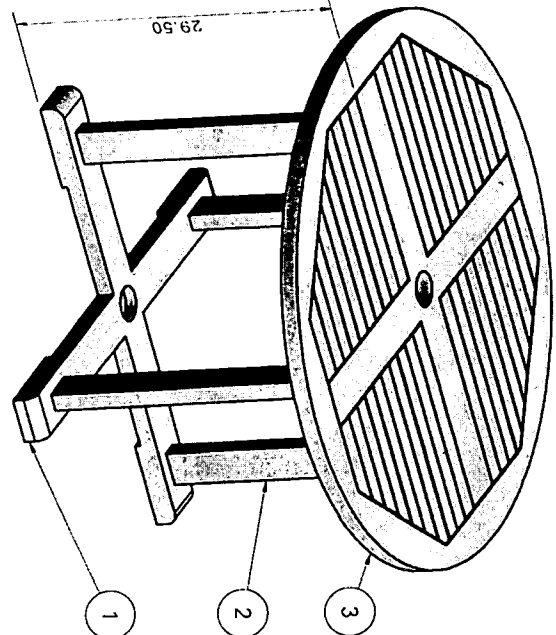
Base cross members width 3.125"

B-B (1:10)

A (1:5)



PARTS LIST		
ITEM	ITEM QTY	FILE NAME
1	1	Horizontal leg.ipt
2	4	Vertical Leg.ipt
3	1	Top panel.ipt



Project name :	Client name :
File name : Table assembly	Revision :
Dimensions :	Produce :
Thickness :	Created : 26.8.2020
Material :	Units : mm (in) :
Scale :	Paper size : A3